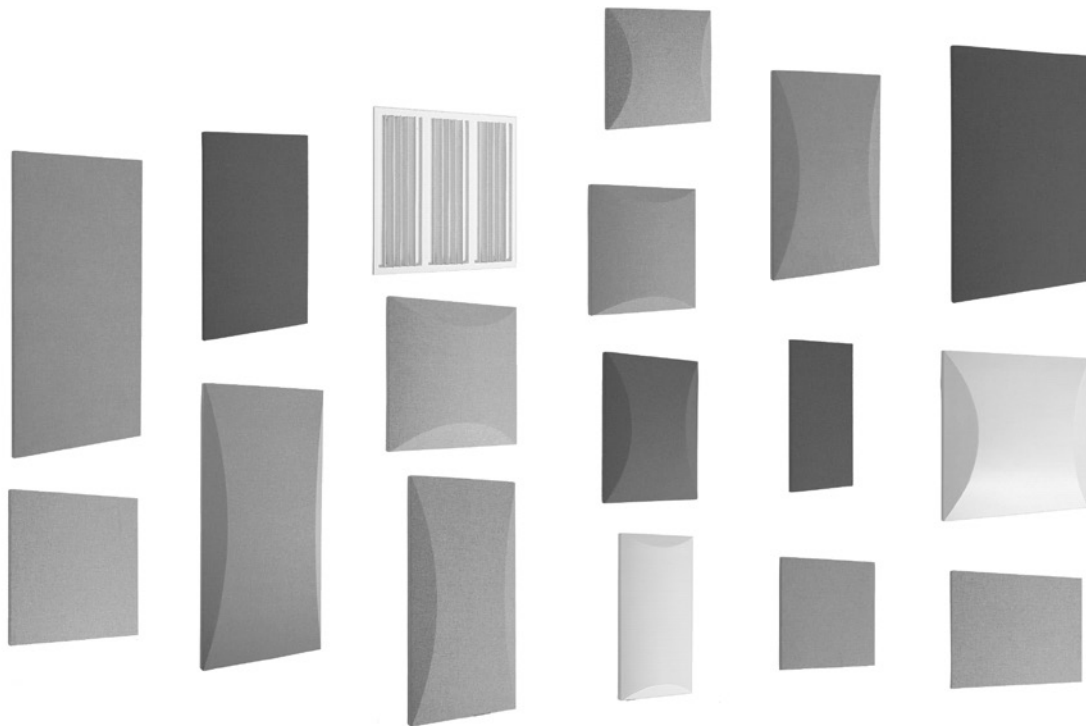




# Installation Instructions Traditional Acoustic Panel Series Ceiling and Wall Panels



## Contents

Important User Information . . . . .	2	Wall Panel System Description . . . . .	8
General . . . . .	2	Wall Panel Types . . . . .	8
Manufacturer . . . . .	2	Wall Panel Sizes . . . . .	8
Intended Use . . . . .	2	Wall Panel Definitions . . . . .	9
Warranty . . . . .	2	Wall Panel Components . . . . .	10
Ceiling and Wall Panel Placement and Design . . . . .	2	Diffuser Wall Panel . . . . .	10
Safety Precautions . . . . .	3	Absorber Wall Panel . . . . .	10
Required Tools . . . . .	3	Clip-In Ceiling Panel Installation . . . . .	11
Before Starting the Installation . . . . .	3	Fasten a Clip-In Model Panel Directly to the Ceiling . . . . .	11
Care and Use . . . . .	4	Suspend a Clip-In Model Panel from the Ceiling . . . . .	13
Handling Panels . . . . .	4	Lay-In Ceiling Panel Installation . . . . .	15
Cleaning Panels . . . . .	4	Installing to a Standard Ceiling Grid . . . . .	15
Painting Diffuser Panels . . . . .	4	Installing to a Designer Ceiling Grid . . . . .	16
Ceiling Panel System Description . . . . .	5	Wall Panel Installation . . . . .	18
Ceiling Panel Types . . . . .	5	Attach Hanger Brackets to Wall Diffuser Panels . . . . .	18
Ceiling Panel Sizes . . . . .	5	Wall Panel Locations . . . . .	19
Ceiling Panel Definitions . . . . .	6	Prepare the Wall Brackets . . . . .	20
Ceiling Panel Components . . . . .	7	Attach the Wall Brackets . . . . .	21
Clip-In Ceiling Panel . . . . .	7	Attach the Wall Panels to the Wall . . . . .	24
Lay-In Ceiling Panel . . . . .	7		

Visit the Traditional Acoustic Panel Series web page at [wengercorp.com](http://wengercorp.com) for more information.

**Note:** Please read and understand these instructions before assembly or installation.  
**Note:** If you need additional information, contact Wenger Corporation using the information below.

# ***Important User Information***

---

## ***General***

Copyright © 2022 by Wenger Corporation

All rights reserved. No part of the contents of this manual may be reproduced, copied, or transmitted in any form or by any means including graphic, electronic, or mechanical methods or photocopying, recording, or information storage and retrieval systems without the written permission of the publisher, unless it is for the purchaser's personal use.

Printed and bound in the United States of America.

The information in this manual is subject to change without notice and does not represent a commitment on the part of Wenger Corporation. Wenger Corporation does not assume any responsibility for any errors that may appear in these instructions.

In no event will Wenger Corporation be liable for technical or editorial omissions made herein, nor for direct, indirect, special, incidental, or consequential damages resulting from the use or defect of these instructions. The manufacturer reserves the right to change this product at any time.

The information in this document is not intended to cover all possible conditions and situations that might occur. The end user must exercise caution and common sense when assembling or installing Wenger Corporation products. If any questions or problems arise, call the Wenger Corporation at (800) 4WENGER (493-6437) or +1-507-455-4100 worldwide.

## ***Manufacturer***

The traditional acoustic panel series ceiling and wall panels are manufactured by:

Wenger Corporation  
555 Park Drive  
Owatonna, MN 55060  
(800) 4WENGER (493-6437) • +1 (507) 455-4100  
wengercorp.com

## ***Intended Use***

- Wenger acoustic wall and ceiling panels are intended for indoor use in normal ambient temperature and humidity conditions and must not be exposed to open flames or hot lighting fixtures.
- Wenger acoustic wall panels are intended to be permanently attached to permanent wall structures only as described in these instructions.
- Wenger acoustic ceiling panels are intended to be permanently attached to permanent ceiling structures as described in these instructions.

## ***Warranty***

This product is guaranteed free of defects in materials and workmanship for five full years from date of shipment. A full warranty statement is available upon request.

## ***Ceiling and Wall Panel Placement and Design***

Wenger acoustic wall and ceiling panels shape the acoustic properties of a room. Correct placement of absorption and diffusion panels in a room reduce unwanted reflections, fill dead-spots and adjust reverberation levels to the optimum for the sound source.

The acoustic design of a room must be tailored to the room's shape, size, construction and planned use. Simply adding ceiling and wall panels may not achieve the desired acoustic performance. Arranging ceiling and wall panels based on their visual appearance similarly may not achieve the best sound quality within the room. The best acoustic characteristics can be obtained by consulting Wenger Corporation or an experienced acoustician and then developing an acoustic design for the room.

# Safety Precautions

---

Throughout this document you may find cautions and warnings which are defined as follows:

- **WARNING:** Failure to follow the instruction could result in serious injury or damage to property.
- **CAUTION:** Failure to follow the instruction could result in minor injury or damage to property.

Read all of these safety instructions before using the equipment.

<p><b>⚠ CAUTION</b></p> <p><i>Make sure anyone installing the acoustic panels has read and understands these instructions.</i></p>	<p><b>⚠ CAUTION</b></p> <p><i>Failure to comply with Warnings and Cautions in this document can result in damage to property or serious injury.</i></p>	<p><b>⚠ CAUTION</b></p> <p><i>To avoid damage and injury, more than one person is needed for installation.</i></p>
<p><b>⚠ WARNING</b></p> <p><i>The panels are constructed from molded thermoplastic materials and can be covered with polyester fabric or paint. Do not allow open flames or very hot lighting to come into close proximity to any acoustic panels. Lighting that is close to an acoustic panel must not exceed 176°F (80°C).</i></p>	<p><b>⚠ CAUTION</b></p> <p><i>Never modify or drill additional holes in panels. Possible damage to the panel structural integrity can result.</i></p>	

## Required Tools

---

- Cordless drill and bits
- Hammer drill (if anchoring to concrete)
- Phillips bit or screwdriver
- Carpenter's box level
- Chalk line
- Tape rule
- Pencil
- Blind rivet tool
- Plumb bob

## Before Starting the Installation

---

1. Make sure that all personnel (including temporary labor) installing acoustic panels read and understand the warnings, cautions, and installation instructions.
2. Consult local building codes and fire codes before starting the installation.
3. Use the installation drawing supplied by Wenger Corporation or the architect showing the location and orientation of each panel.
4. Remove all items from the shipping containers and make sure that all parts including the fasteners and accessories in the hardware packages are present. Refer to the hardware package part list.
5. If problems are encountered during the installation, call Wenger Customer Service.

# Care and Use

---

## Handling Panels

Unfinished, painted, and fabric covered panel surfaces are easily soiled. Rough handling can easily damage panels and degrade the acoustic properties. When handling and installing acoustic panels, do the following:

- Always keep the entire installation site and installation tools as clean as possible.
- Gloves are provided with the panels. Always wear these gloves whenever handling the panels.
- Handle panels with care to prevent physical damage.
- Two people must always work together when handling large panels.
- Hold absorber panels by the edge when handling or installing.
- Never compress the absorber panel absorption material on the panel face (it will crush and not return to the original shape and degrade the acoustic properties).

## Cleaning Panels

### Cleaning Unfinished Panels

Clean unpainted, white plastic diffuser panels with a non-abrasive, mild detergent or household-window cleaner. Difficult to remove stains can be removed with a mildly-abrasive household cleaner if it is applied gently. Apply the mildly-abrasive household cleaner with gentle care to avoid hazing or scratching the panel finish.

### Cleaning Painted Panels

Clean painted plastic diffuser panels only with mild soapy water. If it is necessary to use a commercial cleaner to remove a difficult stain, try the cleaner on a hidden area first to see if the paint is affected by the cleaner (to make sure that the cleaner does not bleach or remove the paint entirely).

### Cleaning Fabric-Covered Panels

Clean fabric-covered panels by vacuuming with a soft brush attachment or using a low-pressure air nozzle outdoors or in a well ventilated space.

The Wenger standard fabric is polyester. Stains can be removed by using a fabric cleaner designed for polyester. Blotting a soiled area is recommended. Brushing or other aggressive methods can damage the fabric and should be avoided. It is always a good practice to test the cleaning method and solution on the back side of the panel to make sure that the fabric color, texture, and adhesion are not affected.

To clean custom fabrics, use only cleaners and methods that are recommended by the fabric manufacturer.

### Cleaning Absorber Panels

Never use excessive amounts of water or liquid cleaners on absorber panels. Absorber panels absorb liquids and required extended time to dry promoting mold and mildew growth.

## Painting Diffuser Panels

Unpainted diffuser panels can be painted without significantly reducing the acoustical performance. Always test the paint or stain on a small hidden area of the panel first.

To paint a diffuser panel, do as follows:

1. Select a flat, satin, semi-gloss, or high-gloss latex or acrylic-latex paint suitable for exterior surfaces.
2. Clean and dry the diffuser panel surface to be painted.
3. Apply the paint at ambient temperatures between 50°F and 90°F (10°C and 32°C), at least 5°F (-15°C) above the dew point, and with the relative humidity less than 85%.
  - a. Apply the first coat of paint with a brush and allow the paint to dry.
  - b. Apply the second coat of paint with a roller or paint sprayer.
4. To apply a stain to diffuser panel, clean the surface and then follow the manufacturer's recommended application instructions.
5. Unplug all drain holes after painting panels.

### **⚠ CAUTION**

***When painting panels, always work outside or in a well ventilated space.***

### **⚠ CAUTION**

***Solvent based coatings containing aromatic hydrocarbon solvents such as lacquers or enamels are not recommended for use on PVC substrates.***

# Ceiling Panel System Description

---

## Ceiling Panel Types

Wenger Corporation manufactures different types of ceiling panels.



### Convex Diffuser Panel

Impact-resistant diffuser panel. Lay-In or ceiling mount applications in 2' x 2' (610 x 610 mm) or 4' x 4' (1219 x 1219 mm) sizes.



### Quadratic Diffuser Panel

Engineered to provide the most effective diffusion in the 750 Hz to 3300 Hz range. These 4' x 4' (1219 x 1219 mm) diffusers are designed as easy-to-apply ceiling in-lays.



### Pyramid Diffuser Panel

Impact-resistant ceiling diffuser panels feature an offset pyramid shape to treat specific acoustical applications. Ceiling mounts in 4' x 4' (1219 x 1219 mm) or 2' x 2' (610 x 610 mm).



### Absorber Panels

Suited for a wide range of music environments. Designed to reduce the reverberation and loudness of a room. Engineered to absorb sound across a broad frequency range for effective, balanced abatement.

## Ceiling Panel Sizes

Most domestic suspended ceiling grid systems have grid rails on 2' (610 mm) square centers, 2' x 4' centers (610 x 1219 mm), or 4' (1219 mm) square centers.

This allows the installation of English sized two-foot by two-foot, two-foot by four-foot, and four-foot by four-foot ceiling panels to match the center-to-center grid distance.

Many of the Wenger ceiling panels are made specifically for suspended grid ceiling systems and are referred to by their English grid size such as 2' x 2' (two-foot by two-foot). The actual size of these panels is different than the nominal size. A 2' x 2' ceiling panel is actually slightly smaller than two-feet by two-feet to allow for the grid rail to fit between the ceiling panels.

Absorber panels are available in custom sizes that are built to exact outside dimensions that are specified on the panel purchase order.

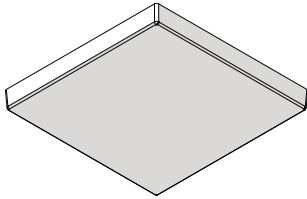
## **CAUTION**

***Due to their weight, never install ceiling panels that are larger than 4' x 4' into a suspended ceiling grid system.***

# Ceiling Panel System Description (continued)

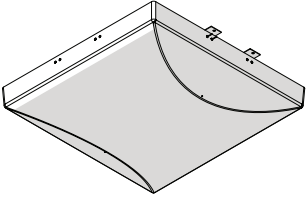
---

## Ceiling Panel Definitions



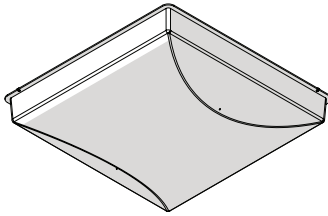
### Absorber Ceiling Panel

Flat, fabric covered panel that absorbs sound and reduces reverberation. This panel uses mounting clips for installation.



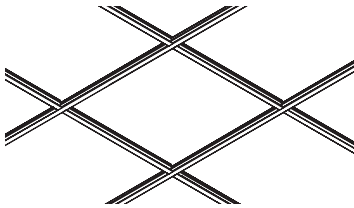
### Convex Clip-In Model Ceiling Panel

Poly-cylindrical diffuser panel that scatters sound. The panel uses mounting clips or hanger brackets to attach directly to the ceiling or suspend from ceiling hardware.



### Convex Lay-in Model Ceiling Panel

Poly-cylindrical diffuser panel that scatters sound. The panel has a flange on the perimeter that allows resting the panel directly into a standard ceiling grid. Designer grid clips can be attached so the panel fits in a designer ceiling grid.



### Ceiling Grid

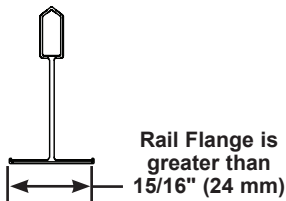
Grid rails connected at right angles to each other, suspended from the ceiling with hardware. The grid rails allow ceiling panels to rest on the rails.

### Rigid Ceiling (not shown)

A non-grid suspended ceiling that is integral to the building structure (such as truss and deck construction) or is rigidly attached to the building structure without removable panels.

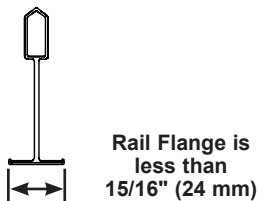
### Suspended Ceiling (not shown)

A system of rails (ceiling grid) and removable ceiling panels commonly used for the ease of installation and low cost.



### Standard Ceiling Grid Rail

Grid rail flange is  $15/16$ " or greater and is adequate for supporting a lay-in panel flange.



### Designer Ceiling Grid Rail

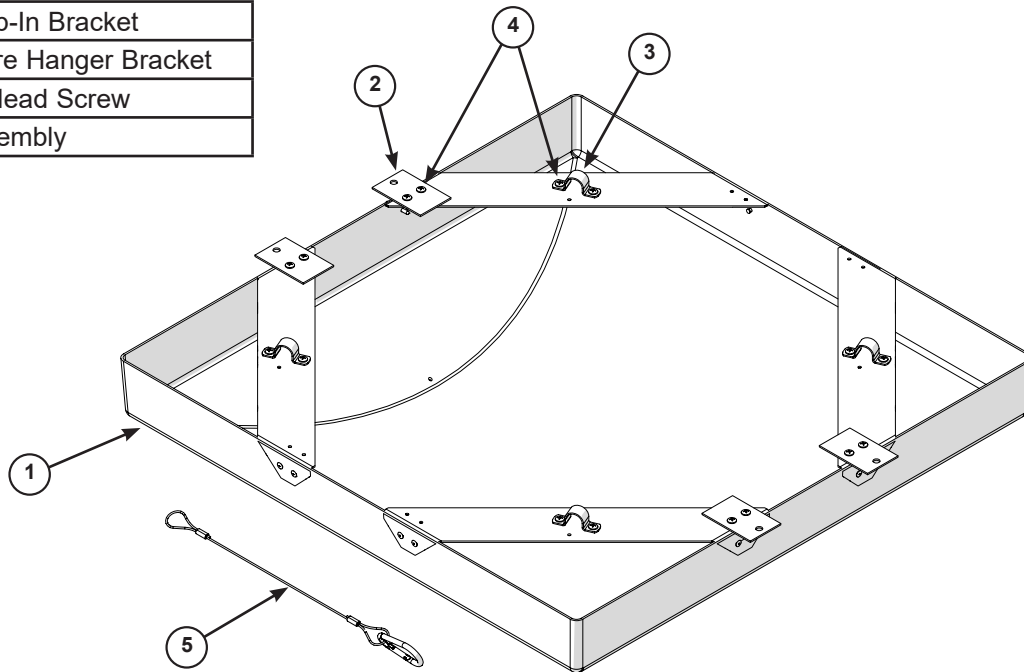
Grid rail flange is less than  $15/16$ " (24 mm) and is not adequate for supporting a lay-in panel flange.

# Ceiling Panel Components

## Clip-In Ceiling Panel (2'x 2' Panel shown)

Item	Description
1	Clip-In Ceiling Panel
2	Ceiling Mount Clip-In Bracket
3	Ceiling Mount Wire Hanger Bracket
4	6-20 x 1/2" Pan Head Screw
5	Safety Cable Assembly

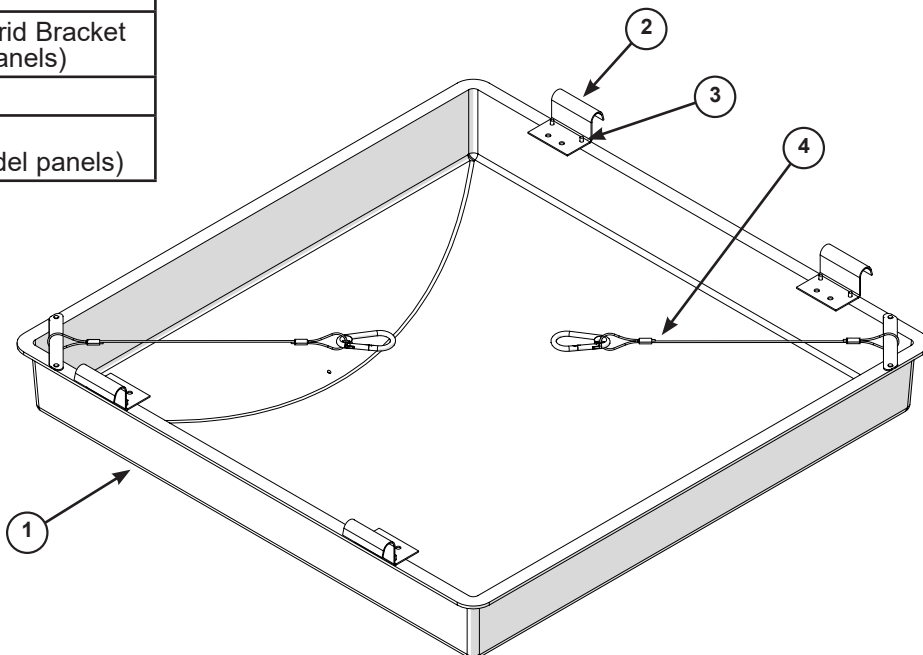
Quantities may vary and not all parts may be used depending on the installation method. Extras can be discarded.



## Lay-In Ceiling Panel (2'x 2' Panel shown)

Item	Description
1	Lay-In Ceiling Panel
2	Ceiling Mount Designer Grid Bracket (not included with lay-in panels)
3	1/8" Blind Rivet
4	Safety Cable Assembly (not included with clip model panels)

Quantities may vary and not all parts may be used depending on the installation method. Extras can be discarded.



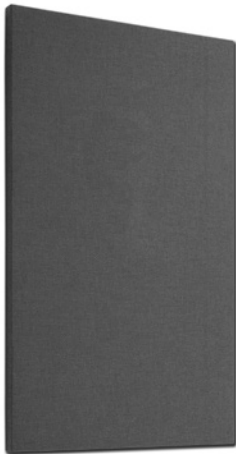
# Wall Panel System Description

---

## Wall Panel Types

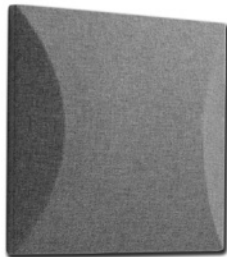
Wenger Corporation manufactures different types of wall panels.

### Absorber Panels



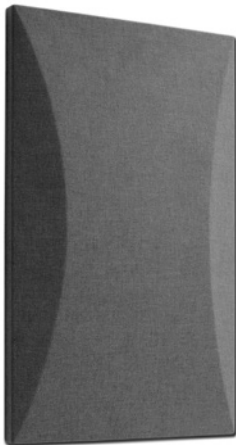
Suited for a wide range of music environments. Designed to reduce the reverberation and loudness of a room. Engineered to absorb sound across a broad frequency range for effective, balanced abatement.

### Type I Convex Diffuser Panels



Designed to scatter and blend sound, these panels diffuse middle- to high-range frequencies that define timbre and articulation.

### Type II Convex Diffuser Panels



Significantly larger than Type I panels, but with the same shape. In addition to sound-diffusion qualities, they selectively absorb low-frequency sound.

## Wall Panel Sizes

Wenger wall panels are made to attach directly to a permanent wall structure and are referred to by their English size such as 2' x 2' (two-foot by two-foot). The actual size of these panels is different than the nominal size. A 2' x 2' ceiling panel is actually slightly smaller than two-feet by two-feet.

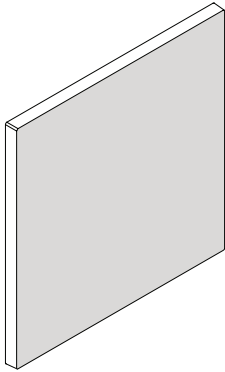
Absorber panels are available in custom sizes that are built to exact outside dimensions that are specified on the panel purchase order.



## **Wall Panel System Description (continued)**

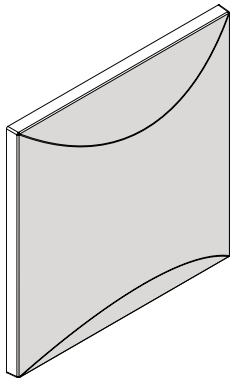
---

### **Wall Panel Definitions**



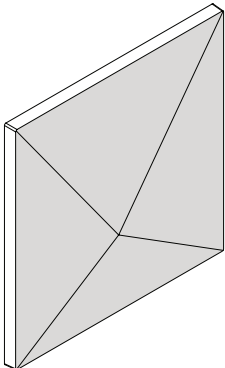
#### **Absorber Wall Panel**

Flat, fabric covered panel that absorbs sound and reduces reverberation. This panel uses wall mounting brackets for installation.



#### **Convex Model Wall Panel**

Poly-cylindrical shaped diffuser panel that scatters sound. This panel uses wall mounting brackets for installation.



#### **Pyramid Model Wall Panel**

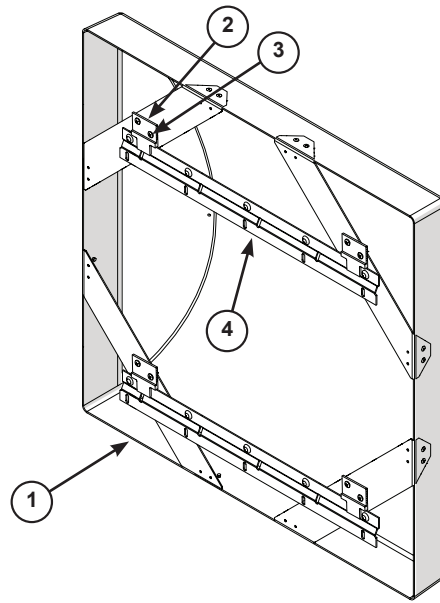
Pyramid shaped diffuser panel that scatters sound. This panel uses wall mounting brackets for installation.

# Wall Panel Components

## Diffuser Wall Panel (2'x 2' Panel shown)

Item	Description
1	Diffuser Wall Panel
2	Diffuser Wall Hanger Bracket
3	6-20 x 1/2" Pan Head Screw
4	Wall Panel Bracket

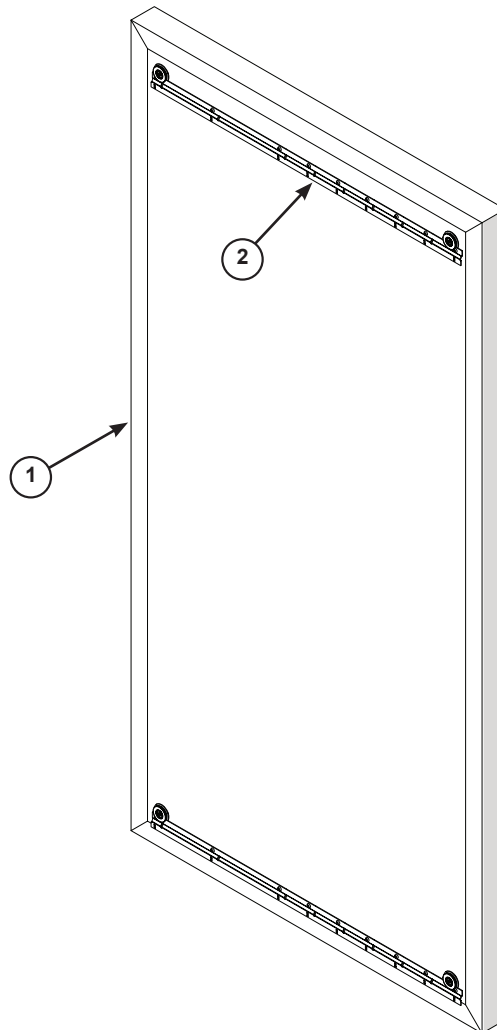
Quantities may vary and not all parts may be used depending on the installation method. Extras can be discarded.



## Absorber Wall Panel (4'x 4' Panel shown)

Item	Description
1	Absorber Panel (Wall Panel Brackets already attached)
2	Wall Panel Bracket

Quantities may vary and not all parts may be used depending on the installation method. Extras can be discarded.



# Clip-In Ceiling Panel Installation



The procedures for installing ceiling panels are covered on pages 11-17.  
See below for installing clip-in model ceiling panels, go to page 15 for installing lay-in model ceiling panels.

For installing wall panels, go to page 18.

## Fasten a Clip-In Model Panel Directly to the Ceiling (to suspend a clip-in model panel from the ceiling see page 13)

Clip model diffuser and absorber panels attach directly to the ceiling as follows:  
Diffuser panel is shown but the procedure is the same for absorber panels.

### CAUTION

Never attach wall panels to a ceiling or horizontal surface.

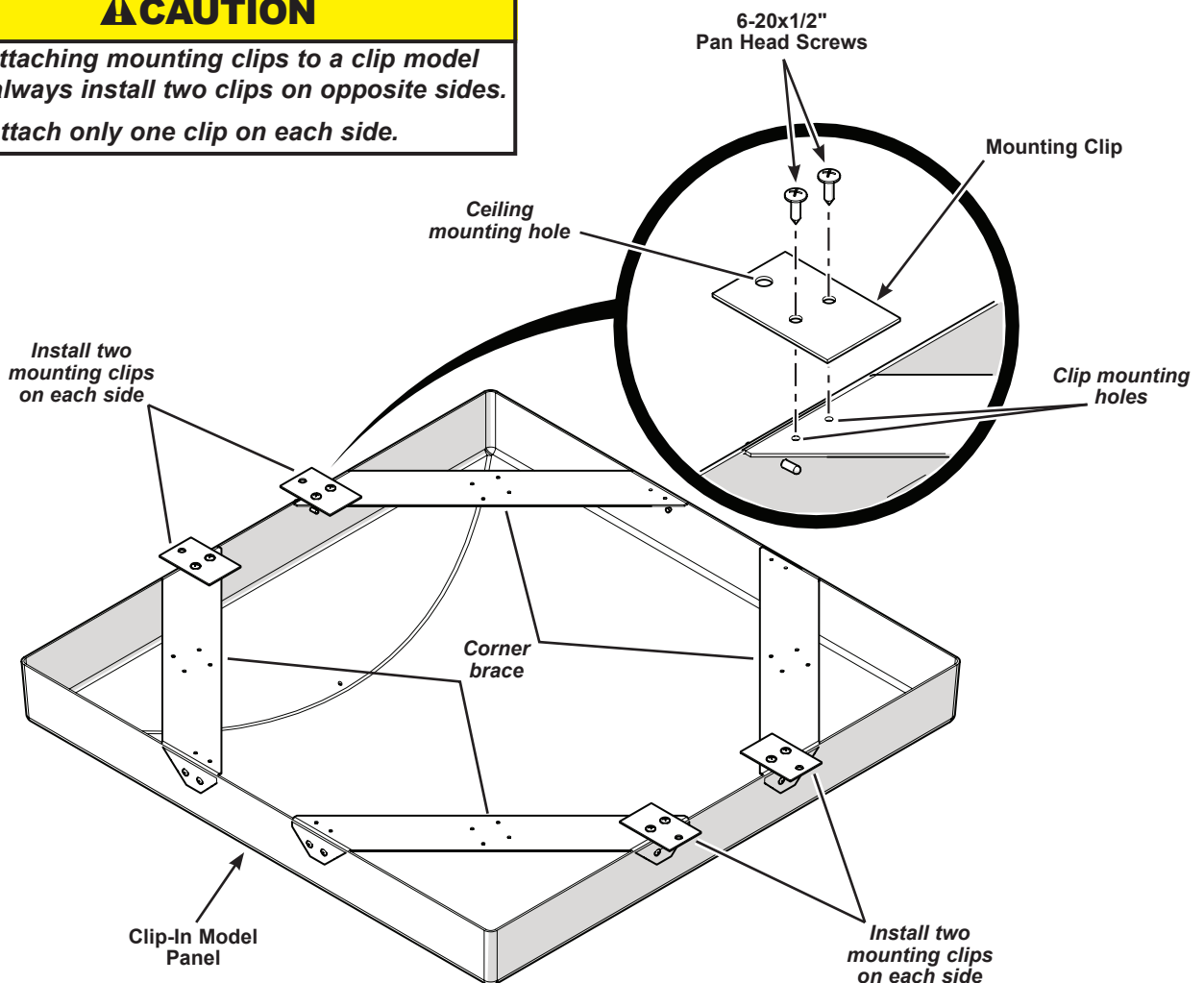
Wall panels do not have drainage and can fill with water.  
It is not permissible to drill drainage holes in wall panels.

1. Attach one mounting clip to each corner brace with two 6-20 x 1/2" sheet metal screws.  
The ceiling mounting hole must be outside of the panel perimeter.

### CAUTION

When attaching mounting clips to a clip model panel, always install two clips on opposite sides.

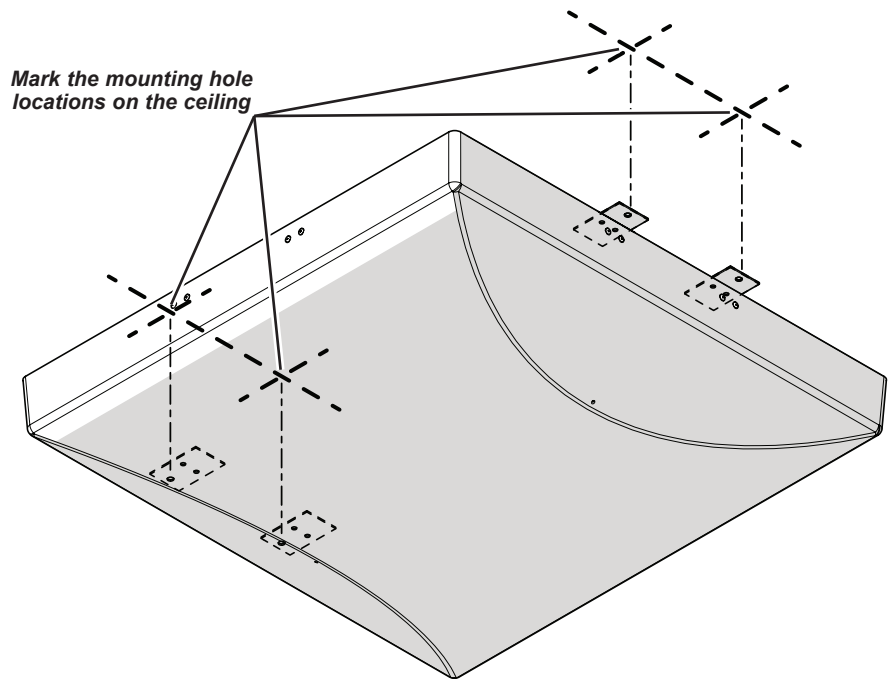
Never attach only one clip on each side.



## Clip-In Ceiling Panel Installation (continued)

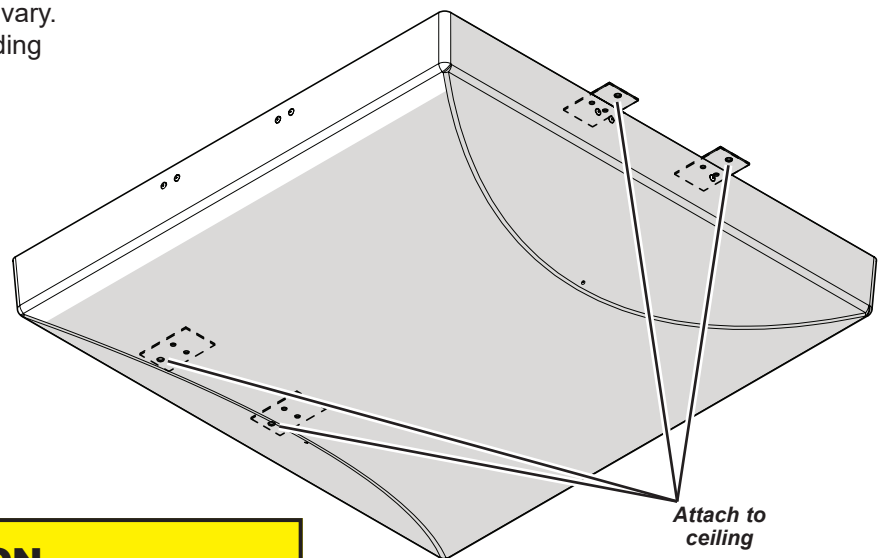
### Fasten a Clip-In Model Panel Directly to Ceiling (continued)

2. Hold the panel against the ceiling in the exact installation position and mark the center of the each ceiling mounting hole as shown.



3. Attach the panel to the ceiling using an appropriate fastener (not supplied) in all four mounting clips.

Ceiling construction and materials vary. Always consult local codes or building material suppliers for information regarding the correct fastener.



### **CAUTION**

**Make sure that the hardware supplied by the end user is capable of supporting the panels and is safely anchored.**

**Because ceiling construction such as Tectum® or acoustical tile may not be capable of supporting the panel weight, make sure the fastener extends into a substrate or structural member capable of supporting the panel.**

## Clip-In Ceiling Panel Installation (continued)

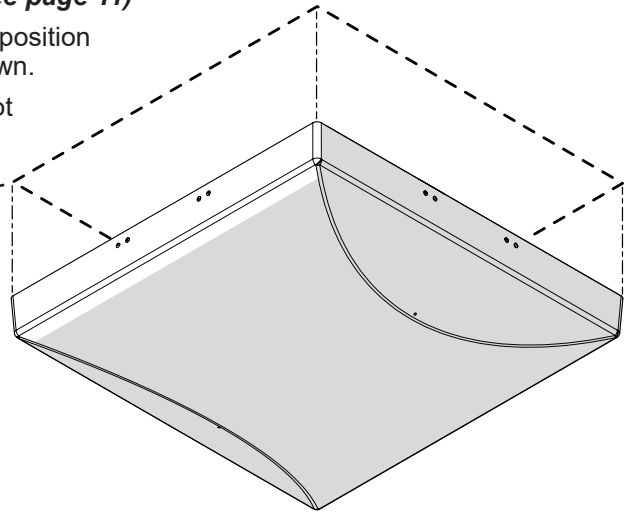
### Suspend a Clip-In Model Panel from the Ceiling

(to fasten a clip-in model panel directly to the ceiling see page 11)

1. Hold the panel against the ceiling in its exact mounting position and draw an outline around the panel perimeter as shown.

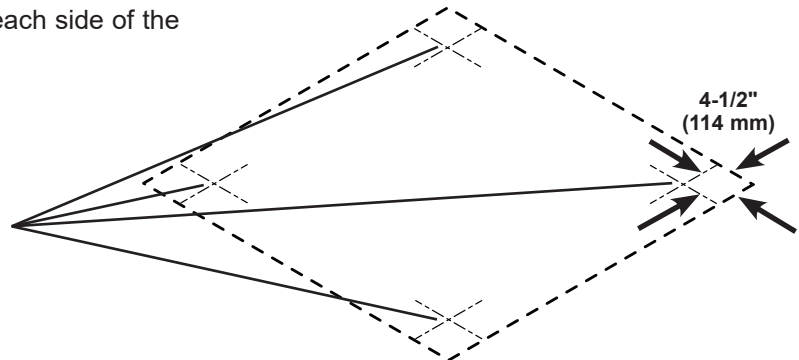
Use a plumb bob to mark the corners if the panel cannot be held against the ceiling.

Mark the panel perimeter on the ceiling



2. Mark four points, 4-1/2" (114 mm) inside each side of the panel perimeter.

Mark four points 4-1/2" inside the panel perimeter



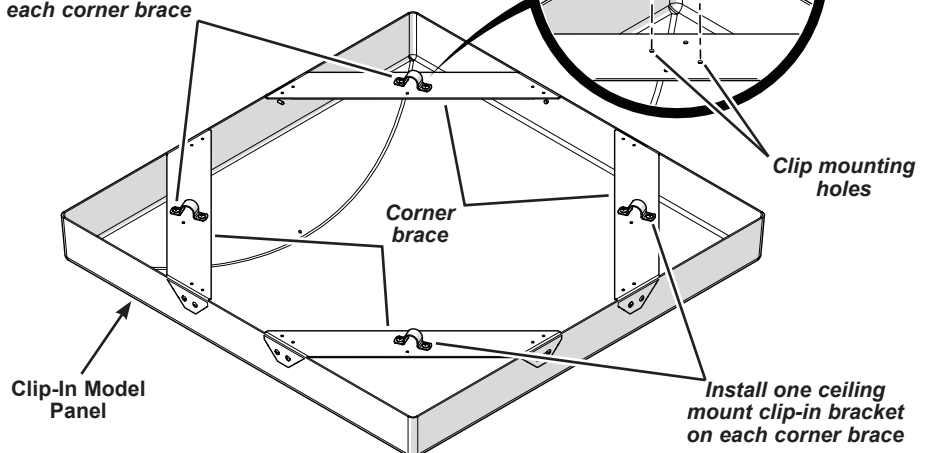
3. Attach one hanger bracket to each corner brace with two 6-20 x 1/2" pan head screws.

Install one ceiling mount clip-in bracket on each corner brace

6-20x1/2" Pan Head Screws

Ceiling Mount Clip-In Bracket

Clip mounting holes



Install one ceiling mount clip-in bracket on each corner brace

## Clip-In Ceiling Panel Installation (continued)

---

### Suspend a Clip Model Panel from Ceiling (continued)

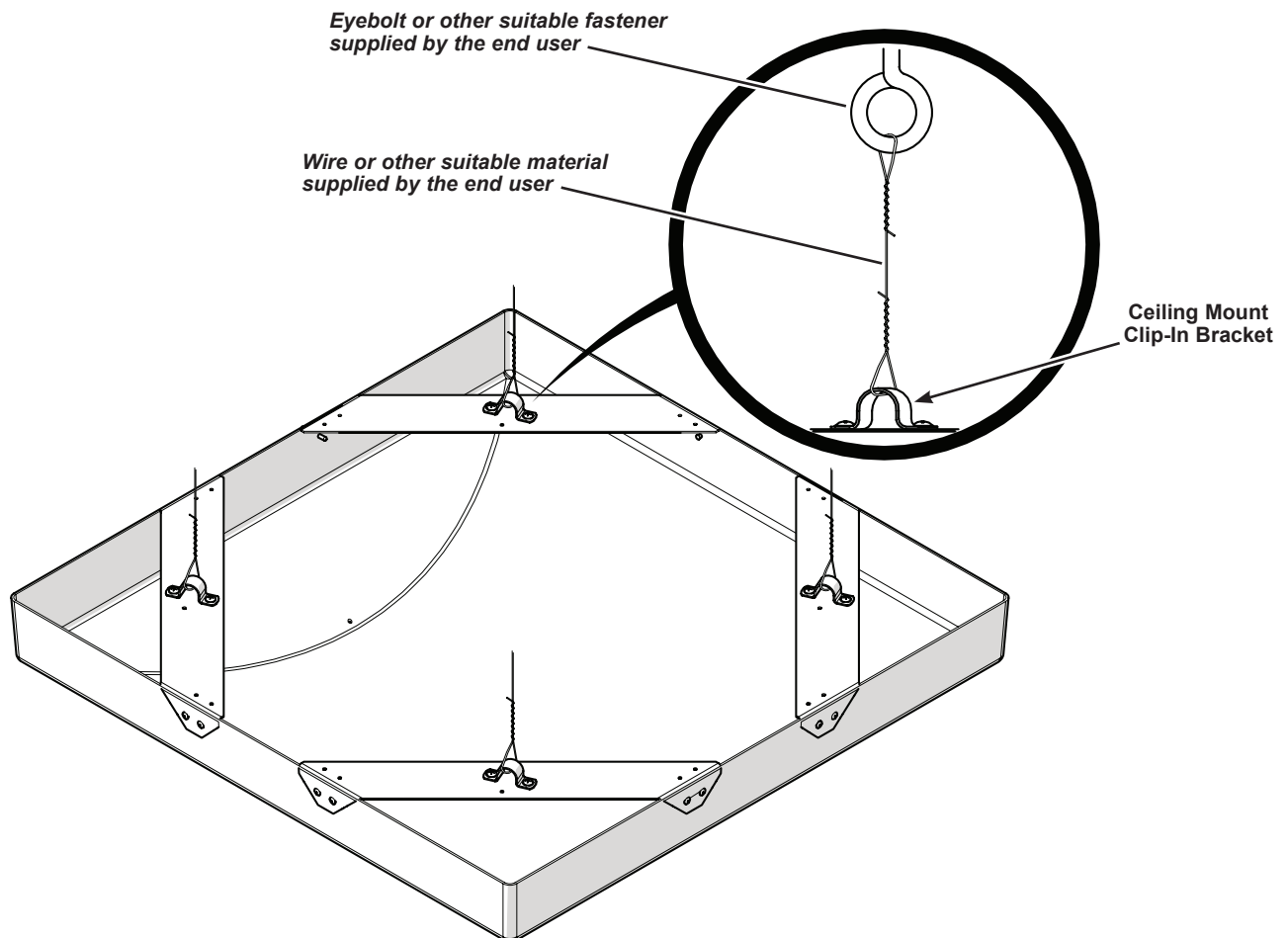
4. Attach fasteners (not supplied) to the ceiling at the four points marked inside the panel perimeter in step 2 on the previous page.

#### **CAUTION**

*Make sure that the hardware supplied by the end user is capable of supporting the panels and is safely anchored.*

*Because ceiling construction such as Tectum® or acoustical tile may not be capable of supporting the panel weight, make sure the fastener extends into a substrate or structural member capable of supporting the panel.*

5. Using wire, cable, or some suitable material (not supplied by Wenger Corporation), attach the four hanger brackets to the four fasteners as shown (or by some other safe method).



# Lay-In Ceiling Panel Installation



The procedures for installing ceiling panels are covered on pages 11-17. See below for installing lay-in model ceiling panels, go to page 11 for installing clip-in model ceiling panels.

For installing wall panels, go to page 18.

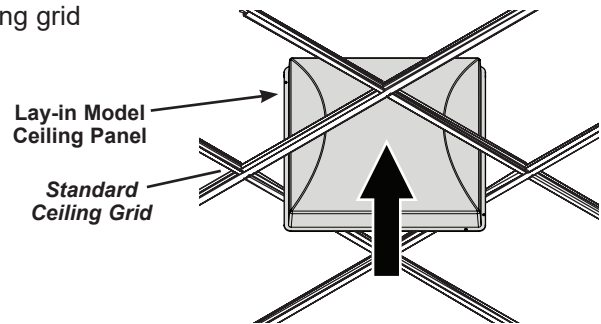
## Installing to a Standard Ceiling Grid (to install to a designer ceiling grid, see page 16)

Lay-in model ceiling panels are installed into the standard ceiling grid without additional hardware.

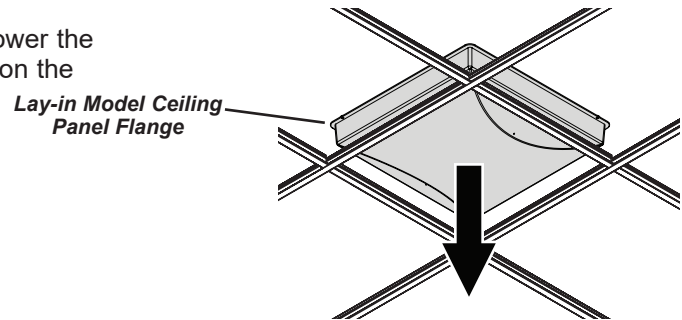
### CAUTION

- Make sure that all four ceiling panel flanges rest on the grid walls.
- The provided safety cables must be used in all suspended ceiling grid installations.
- Only flanged ceiling panels may be installed into suspended ceiling grids. Make sure that all four ceiling lay-in panel flanges rest on the ceiling grid rail flange.
- In the event of a ceiling panel failure, check the suspended ceiling grid and panel for damage. Do not reinstall a damaged ceiling panel.

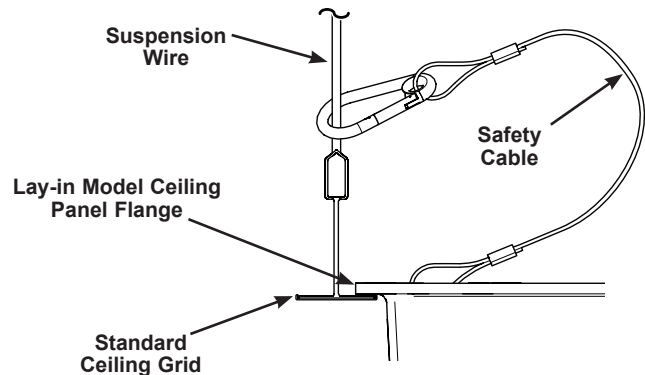
1. Insert a lay-in model ceiling panel upward through the ceiling grid as shown.



2. Orient the ceiling panel above the ceiling grid and lower the panel into the grid making sure that all four flanges on the panel rest on the grid rails.



3. Clip the provided safety cables on the panel onto the nearest suspension wire.



# Lay-In Ceiling Panel Installation (continued)

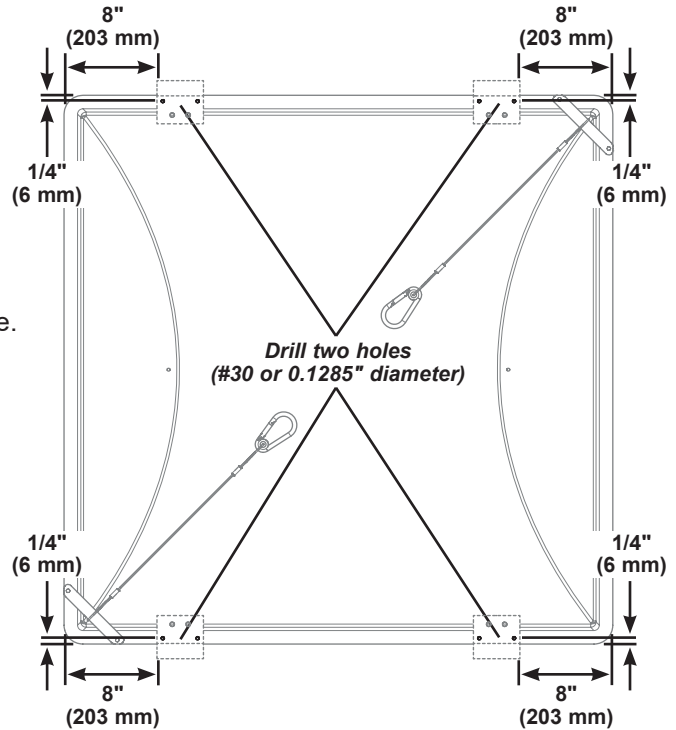
## Installing to a Designer Ceiling Grid (to install to a standard ceiling grid, see page 15)

1. Attach four designer grid mounting clips to the lay-in panel:
  - a. At each corner, use a designer grid mounting clip as a template to mark the hole locations on the flange of a panel as shown.  
Each two-hole pattern should be about 8" (203 mm) from the end of the panel and 1/4" (6 mm) from the outside of the flange.
  - b. Using a #30 drill bit (0.1285"), drill holes through the marked locations on the panel flange.

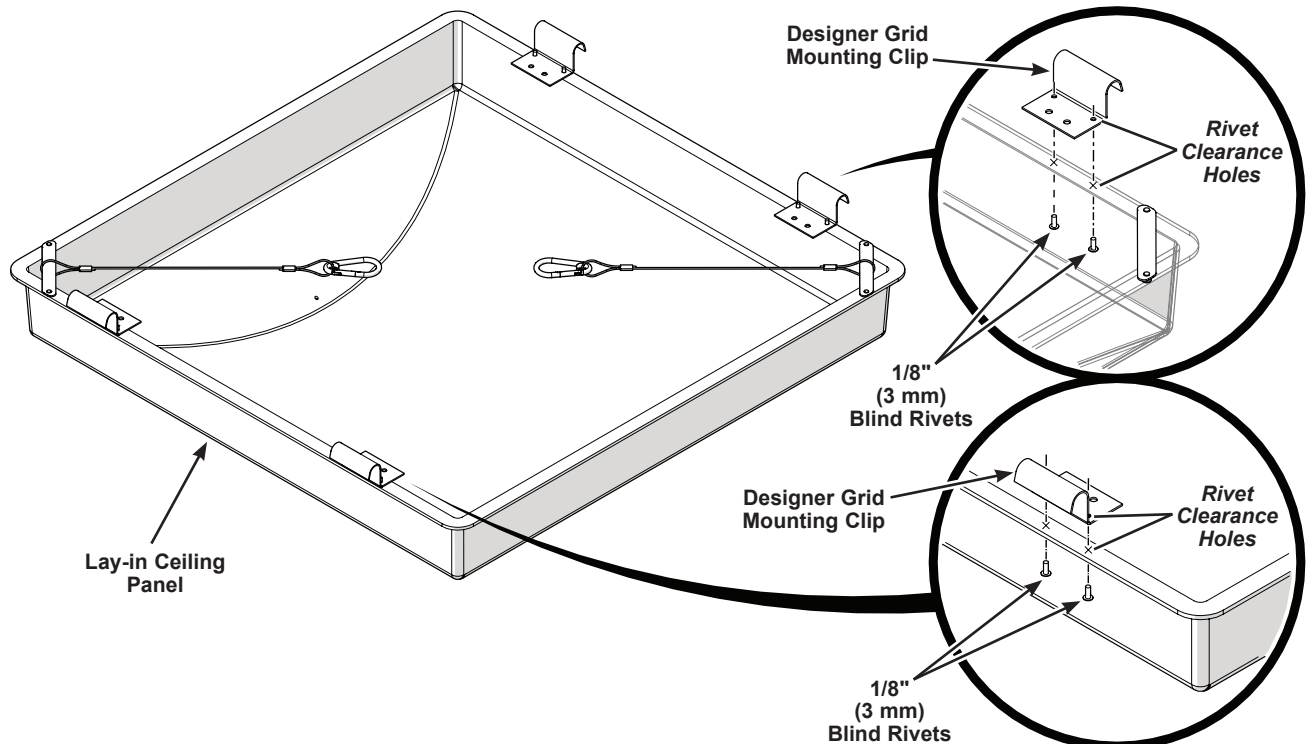
**CAUTION**

*Do not install a lay-in diffuser panel into a designer grid without attaching the designer grid mounting clips.*

*Do not install only one clip on each panel flange, install two clips on one flange and two clips on the opposite flange.*



- c. Use a blind rivet tool to attach each designer grid mounting clip to the flange by inserting two 1/8" blind rivets upward through the two drilled holes and the two mounting clip rivet clearance holes.



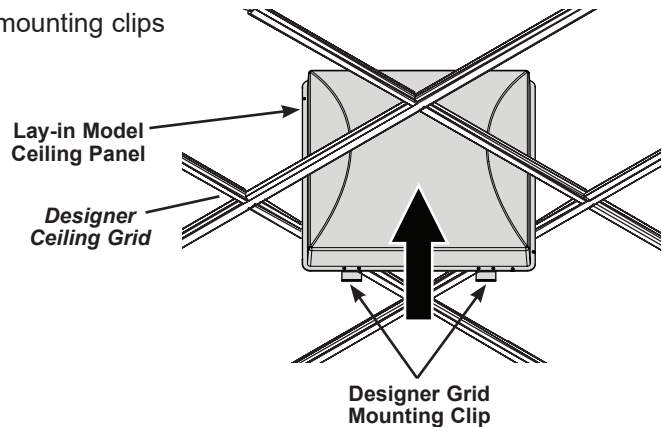


## Lay-In Ceiling Panel Installation (continued)

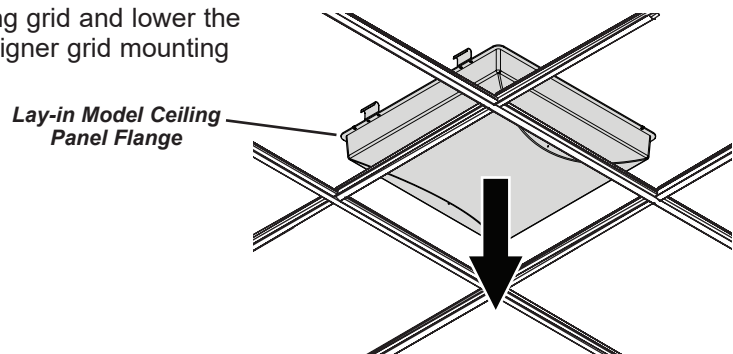
### CAUTION

- *Make sure that all four mounting clips rest on the grid walls.*
- *The provided safety cables must be used in all suspended ceiling grid installations.*
- *Only flanged ceiling panels may be installed into suspended ceiling grids.*  
*Make sure that all four ceiling lay-in panel flanges rest on the ceiling grid rail flange.*
- *In the event of a ceiling panel failure, check the suspended ceiling grid and panel for damage.*  
*Do not reinstall a damaged ceiling panel.*

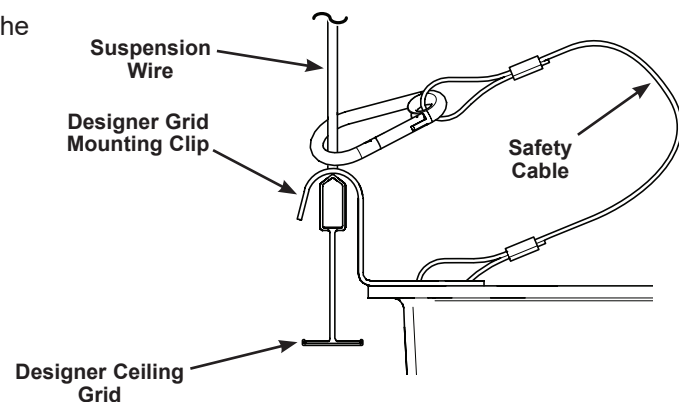
2. Insert a lay-in model ceiling panel with designer grid mounting clips upward through the ceiling grid as shown.



3. Orient the diffuser ceiling panel above the ceiling grid and lower the panel into the grid making sure that all four designer grid mounting clips on the panel rest on the grid rails.



4. Clip the provided safety cables on the panel onto the nearest suspension wire.



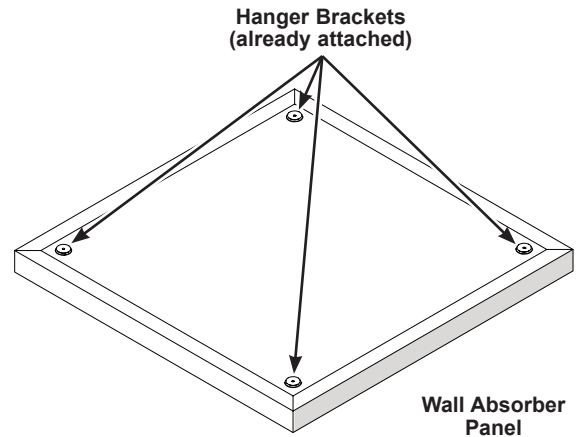
# Wall Panel Installation



The procedures for installing wall panels are covered on pages 18-24.  
For installing ceiling panels, go to page 11.

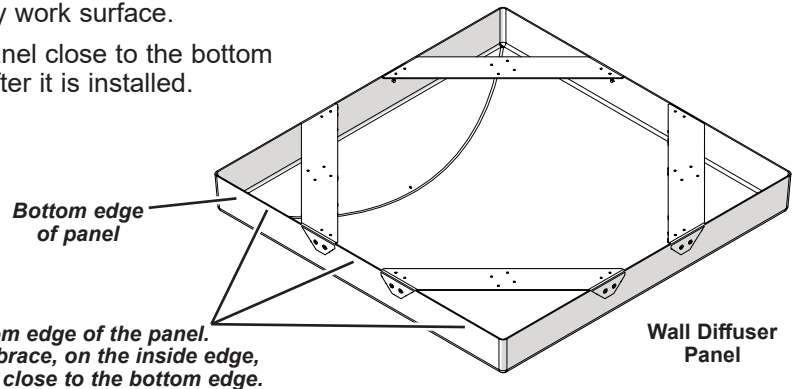
## Attach Hanger Brackets to Wall Diffuser Panels

Hanger brackets are already installed on wall absorber panels.

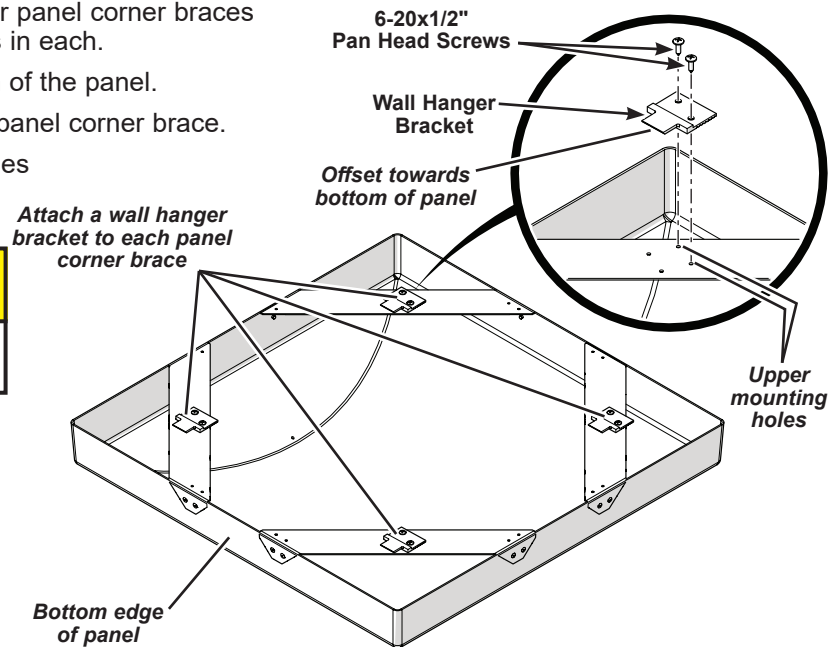


For wall diffuser panels, four hanger brackets must be attached to each panel before installation as follows:

1. Place the panel face down on a clean, dry work surface.
2. Place a mark on the back inside of the panel close to the bottom edge indicating the bottom of the panel after it is installed.



3. Attach a wall hanger bracket to the four panel corner braces using two 6-20 x 1/2" pan head screws in each.
  - a. Orient the offset toward the bottom of the panel.
  - b. The offset must be away from the panel corner brace.
  - c. Use the upper pair of mounting holes on the panel corner bracket.



### **CAUTION**

Make sure that the hanger brackets are firmly attached in the correct locations.

## Wall Panel Installation (continued)

### Wall Panel Locations

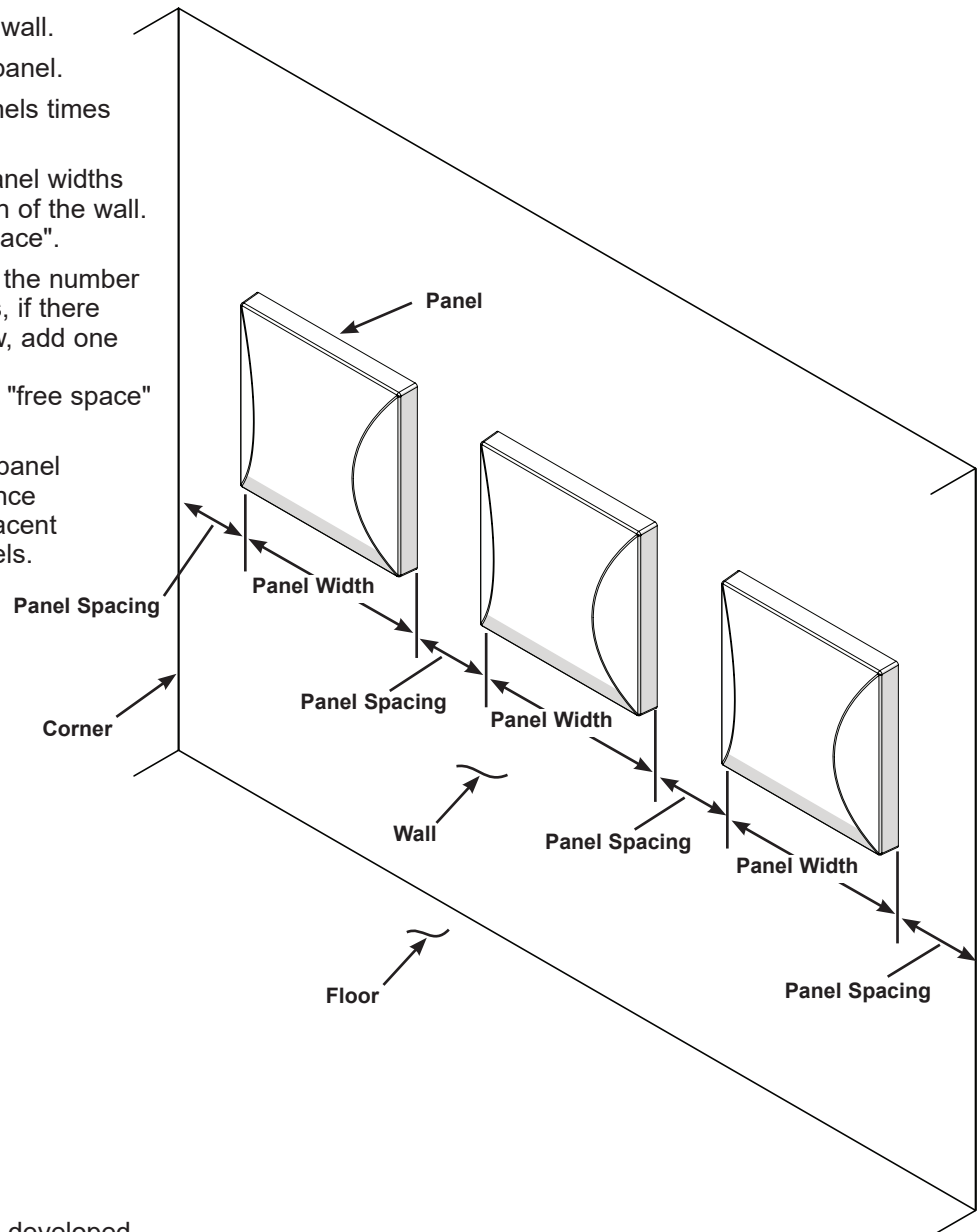
Determine and mark the centerline of each panel location as shown on the architectural drawings for the installation.

The following example can be followed if drawings have not been submitted with the panels. This example considers a single row of convex panels equally spaced across a wall with the spacing between panels equal to the space between the corners and adjacent panel. Refer to the illustration below.

**Note:** After the panels are installed, it may be necessary to adjust the position of the panels to obtain the optimum audio performance.

One way to calculate the centerline locations is as follows:

1. Measure the length of the wall.
2. Measure the width of the panel.
3. Multiply the number of panels times the panel width.
4. Subtract the total of the panel widths from step 3 from the length of the wall. Call this value the "free space".
5. Divide the "free space" by the number of panels plus one. That is, if there are three panels in the row, add one to create a value of four. In this example, divide the "free space" by four.
6. The resulting value is the panel spacing which is the distance between a corner and adjacent panel or between the panels.



Other spacing patterns can be developed.

Actual panel locations should be determined by the room's shape, size, construction materials and other factors.

For the best room audio performance, the location of panels should be recommended by Wenger personnel or Acousticians familiar with the project.

## Wall Panel Installation (continued)

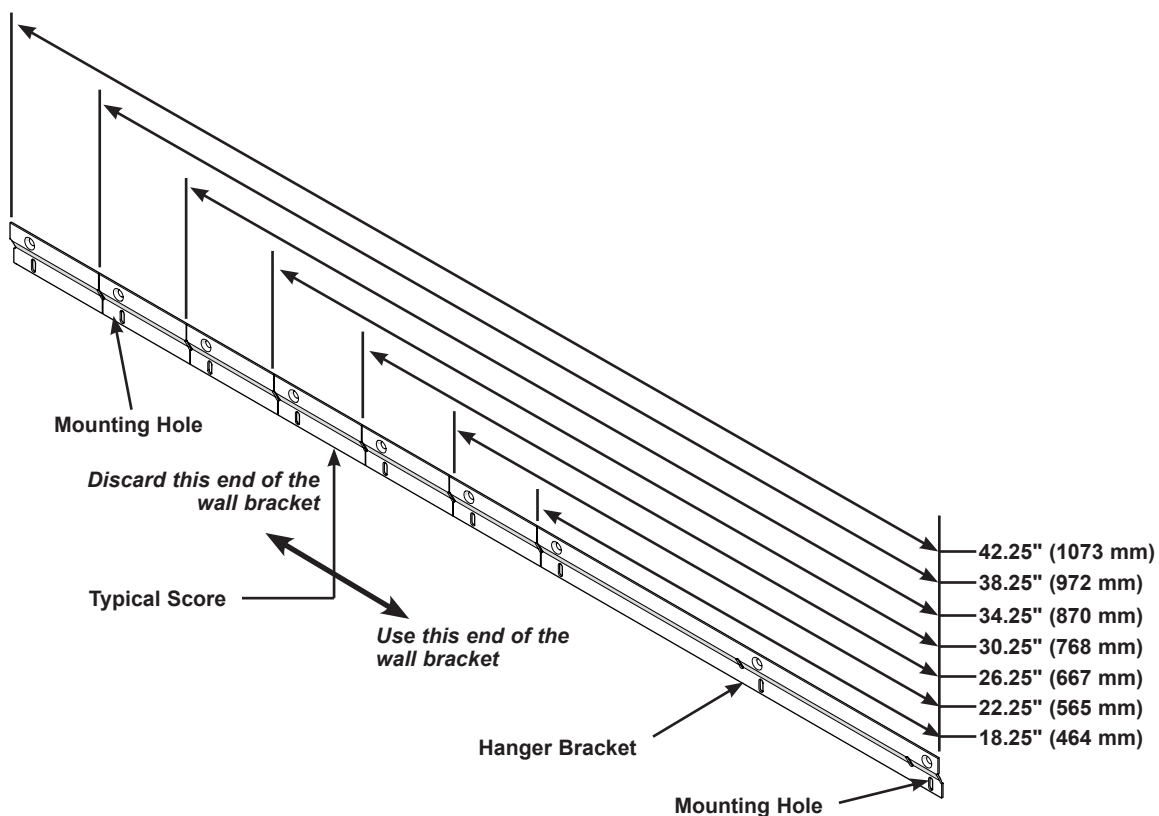
### Prepare the Wall Brackets

Wall panels must be attached to walls using the wall brackets that are supplied with the wall panels.

The brackets that are shipped with wall panels are 42.25" (1073 mm) long and must be modified to match the panel width.

1. Each wall bracket has score marks that match the bracket lengths required to attach the panel to a wall.
2. Bend each bracket on the appropriate score mark to shorten the length.
3. Refer to the illustration below.

Panel Width		Bracket Width	Panel Width		Bracket Width
From	Less Than		From	Less Than	
19.5"	23"	18.25"	35"	39"	34.25"
23"	27"	22.25"	39"	43"	38.25"
27"	31"	26.25"	43"	47"	42.25"
31"	35"	30.25"	47"	95"	18.25"



## Wall Panel Installation (continued)

### Attach the Wall Brackets

Two wall brackets, one at the panel top and one at the panel bottom must be attached to the wall to support the weight of the panel and to hold it against the wall.

#### **CAUTION**

*Both top and bottom wall brackets must be used to hang all wall panels.*

#### **CAUTION**

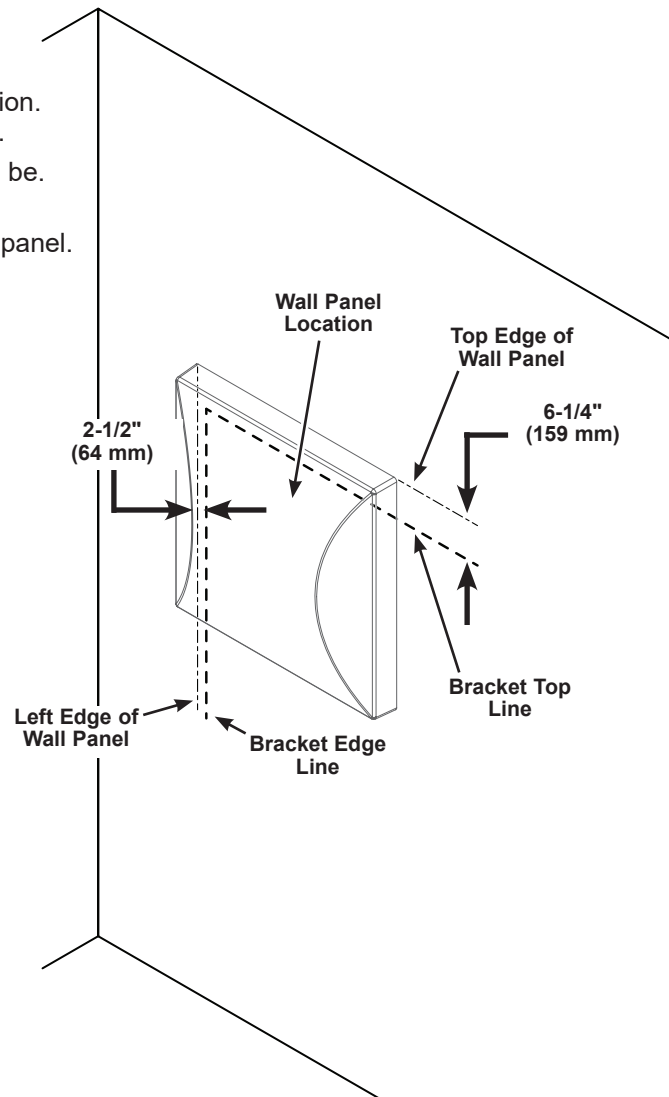
*Only use the brackets supplied with the panels to attach them to the wall.  
Only mount the panels using the procedures in these instructions.*

Before installing the wall brackets, consult the architectural drawings to determine the wall panel locations and distance from the ceiling.

**Note:** The top of the wall panel cannot be attached closer than 3/4" (19 mm) to the ceiling or any other object. To engage the wall bracket, the wall panel hanger bracket lower edge must be lifted 3/4" (19 mm) higher than the wall bracket top edge.

To install the top wall bracket:

1. Determine where the height of the top edge of the wall panel will be.  
Measure down 6-1/4" (159 mm) and mark the location. This will be the bottom edge of the top wall bracket.
2. Determine where the left edge of the wall panel will be.  
Measure in 2-1/2" (64 mm) and mark the location. The wall bracket sits 2-1/2" in from the edge of the panel.



## Wall Panel Installation (continued)

### Attach the Wall Brackets (continued)

- Attach the top wall bracket to the wall using appropriate fasteners (not supplied).

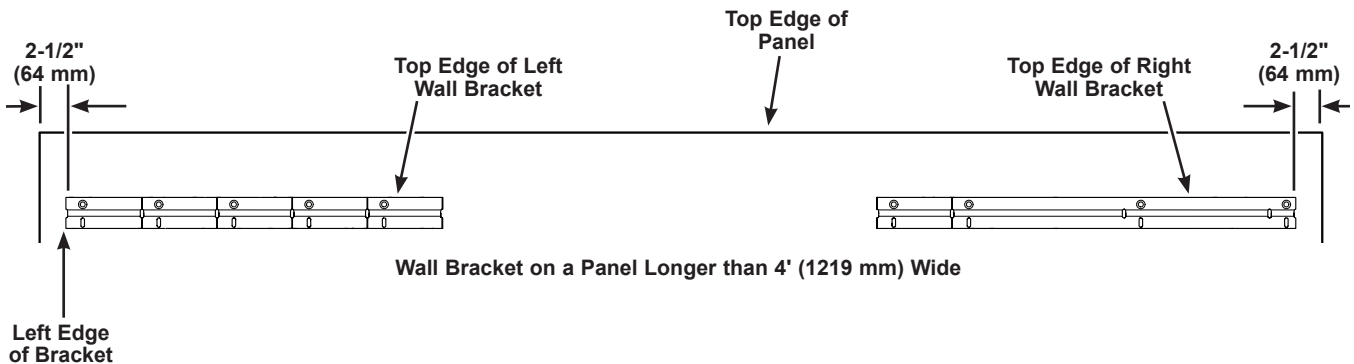
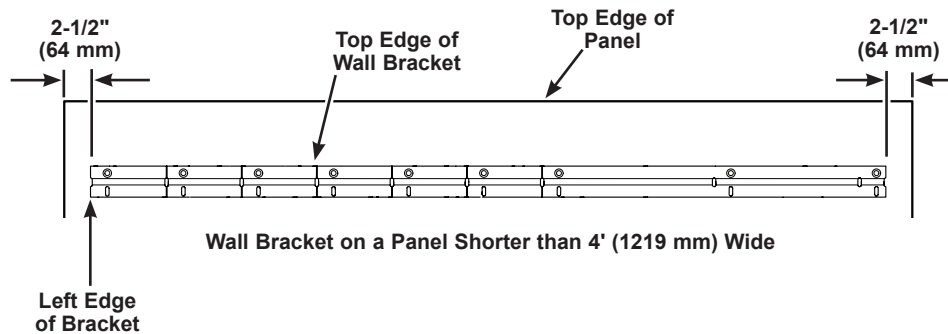
#### **CAUTION**

**Make sure that the hardware supplied by the end user is capable of supporting the panels and is safely anchored.**

**Note:** Construction and materials vary. Always consult local codes or building material suppliers for information regarding the correct fastener.

- For wall panels shorter than 4' (1219 mm) wide, align the top wall bracket to the wall marks and attach.
- Wall panels longer than 4' (1219 mm) wide require that the wall brackets be snapped in half on a score mark before attaching to the wall.
  - Use the left half of the wall bracket on the left side of the wall panel and the right half of the bracket on the right side of the panel.
  - Align the left side to the wall marks and attach to the wall.
  - Determine the horizontal space for the right side wall bracket by subtracting 5" (127 mm) from the total panel length (2-1/2" [64 mm] in from the edge of the panel on both sides).

Example; 6' panel = 72" minus 5" = 67" span from the outside of both wall brackets.  
Leaving 5" (2-1/2" on each side) to accommodate the wall panel edges.
  - Attach the right bracket to the wall with the right side 67" straight across from the left edge of the left bracket.



## Wall Panel Installation (continued)

### Attach the Wall Brackets (continued)

To install the Bottom Wall Bracket:

1. Depending on the wall panel height, measure down from the top edge of the top bracket and mark the location for the bottom edge of the bottom bracket according to the following chart.

Panel Height	Measure down from Top Bracket edge
2' (610 mm)	16-1/4" (413 mm)
3' (914 mm)	28-1/4" (718 mm)
4' (1219 mm)	40-1/4" (1022 mm)
6' (1829 mm)	64-1/4" (1632 mm)
8' (2438 mm)	88-1/4" (2242 mm)

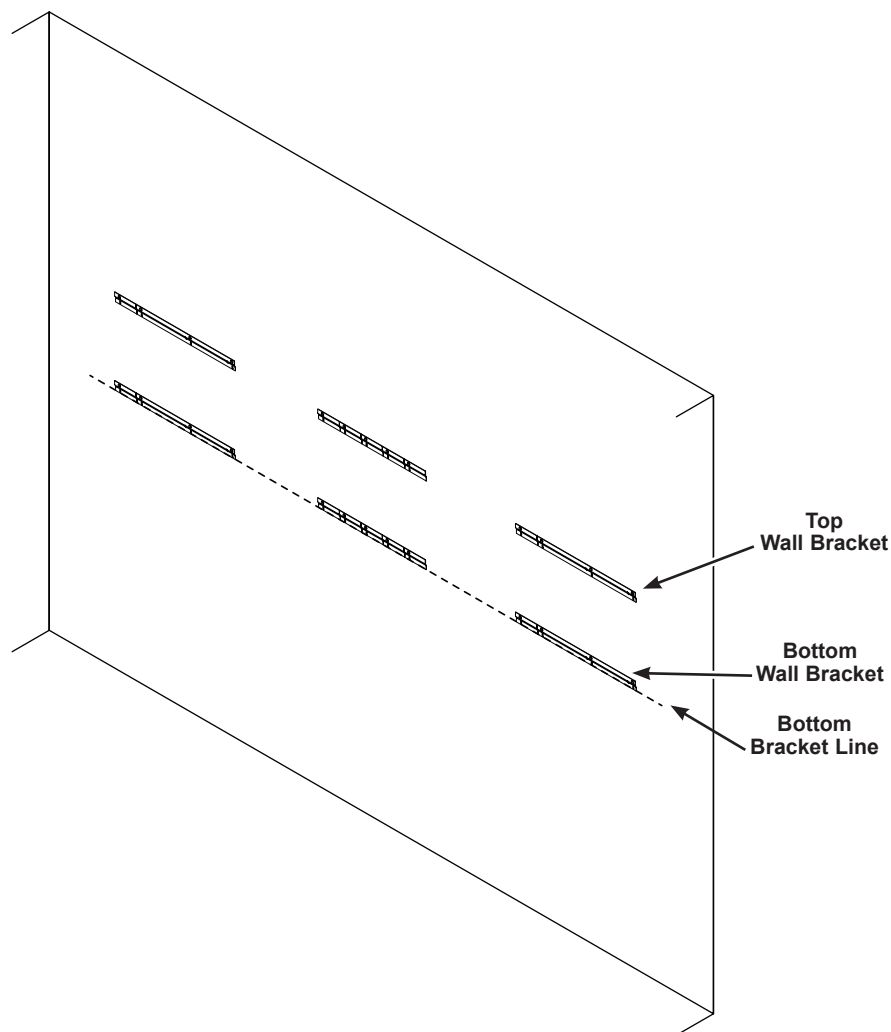
This will be the bottom edge of the bottom wall bracket.

2. Determine where the left edge of the wall panel will be.

Measure in 2-1/2" (63.5 mm) and mark the location.

The wall bracket sits 2-1/2" in from the edge of the panel.

3. Attach the bottom wall bracket to the wall using the same method and procedure as the top wall bracket.



## Wall Panel Installation (continued)

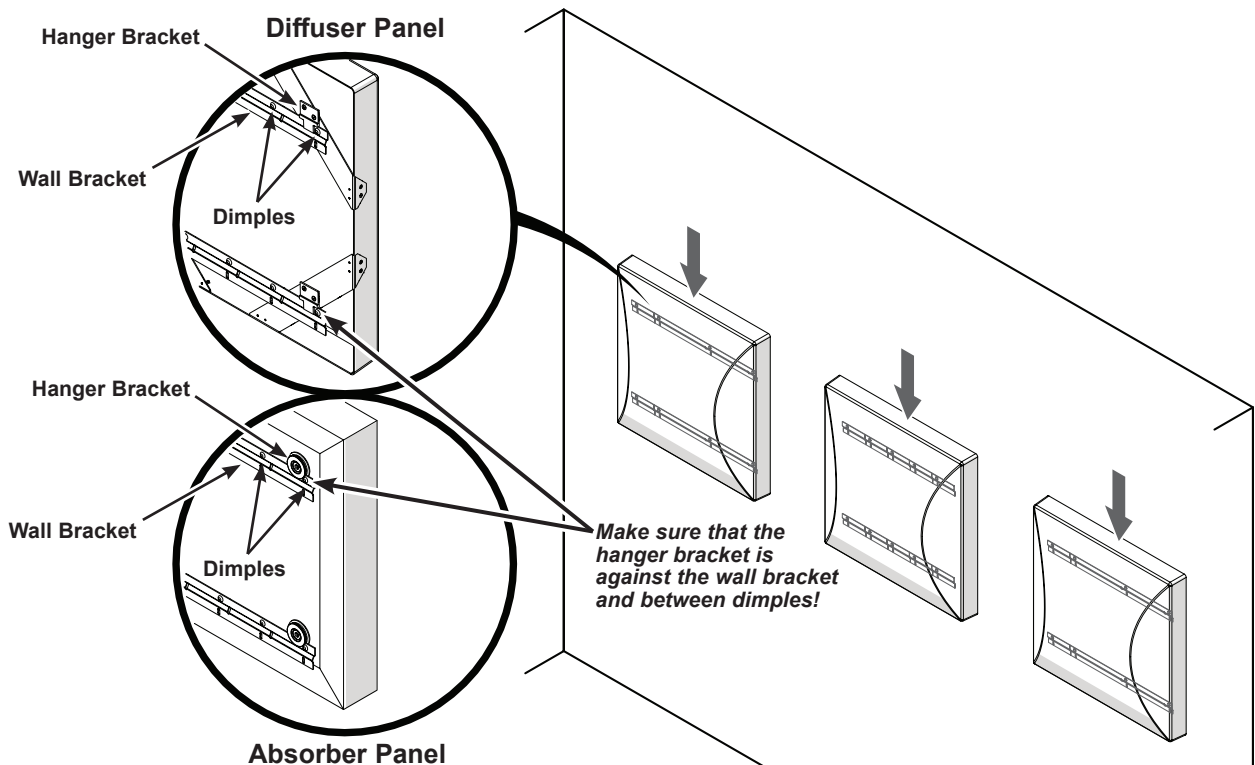
### Attach the Wall Panels to the Wall

**Note:** Always install the highest wall panel first to avoid debris falling onto lower wall panels.

#### **CAUTION**

**Large panel installation requires that two or more persons work together. Large panels can be heavy and difficult to handle alone.**

1. Attach the wall panels by placing each panel against the wall about 1" (25 mm) above the intended final position.
2. Lower the wall panel downward guiding the four hanger brackets onto the top and bottom wall brackets. Be sure that all four hanger brackets have engaged the wall brackets.
3. Adjust the wall panel horizontal location by sliding the panel horizontally to the right or left for final positioning. Dimples on the wall brackets prevent moving the wall panel too far and disengaging a hanger bracket from the wall bracket.
4. When the wall panel horizontal position is fixed, pull the panel downward to make sure that the hanger brackets are engaged with the wall brackets.



#### **CAUTION**

**Be sure that all of the hanger brackets rest between the dimples and engage the wall brackets.**

**Note:** If the wall panels are low enough to be either accidentally or mischievously dislodged from the wall brackets, contact Wenger Corporation for recommendations regarding additional securing of the wall panels to the wall.